

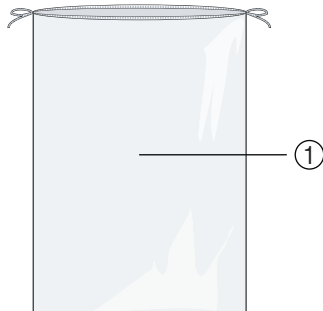


UNILINE® Lead lamella cover

STERILE R

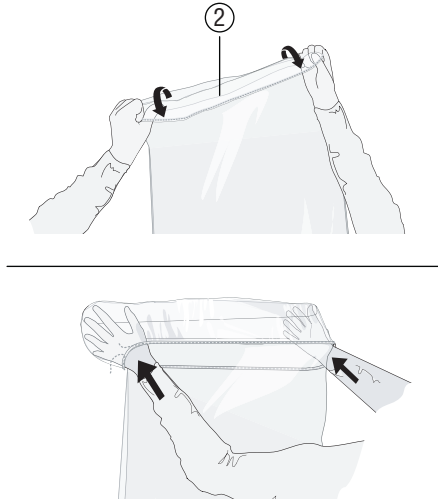
Intended purpose: Sterile radiation protection screen cover for the duration of one application

1



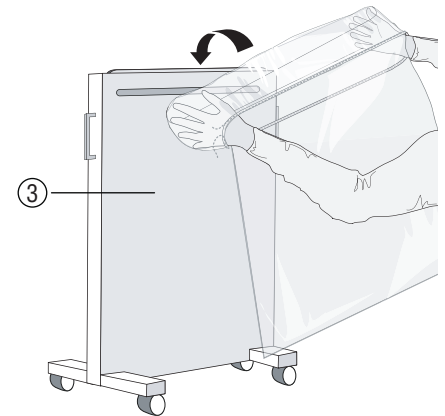
The cover (1) is unfolded.

2



The cover is folded outwards at the cover opening (2) and the cover is gripped with both hands inside this folded part.

3



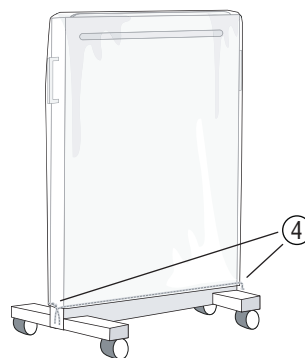
Now the cover can be pulled over the radiation protection screen (3)...

4



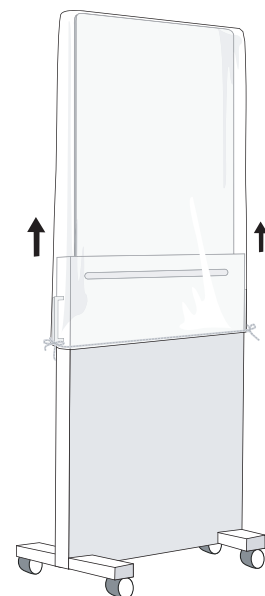
...until it is completely covered.

5



The cover can be fixed with the drawstrings (4).

6



Optionally, the lead plate of the radiation protection screen can be adjusted in height.



PACKAGE CONTENT		DETAILS
REF 35408	UNILINE® Lead lamella cover	Size: 78 x 110 cm
A detailed product specification is available on request.		

WARNINGS and IMPORTANT INFORMATION



Do not use if sterility is compromised or if the packaging is damaged



CAUTION: Do not use damaged products!



Do not reuse



Do not resterilize



CAUTION: Not suitable for reuse, as the required features may fail and cause an infection of the patient.



CAUTION: The instructions for use apply only to the enclosed products.



CAUTION: Open peel pouch at top seam!



Store in a dry place



Keep away from direct sunlight



CAUTION: To be used only by healthcare professionals!



CAUTION: Any serious incident that has occurred in relation to the device has to be reported to the manufacturer and the competent authority of the Member State in which the user and/or patient is established.

OTHER SYMBOLS USED



Sterilized using irradiation



Use-by date



Latex-free



www.heisig.de

Consult instructions for use. The latest instructions for use can be downloaded at www.heisig.de



Number of consumption units per peel pouches



Personnel number of the manufacturing employee



Batch code
JMMM0123



Manufacturer



Number of peel pouches in a carton



Date of manufacture



Article number



PZN: 0000000

Pharmacy central number



The product is compliant with valid legal requirements for medical devices. Manufacturer is monitored by the notified body with number 0197.



Medical device



Single *sterile* barrier system



Single *sterile* barrier system with protective packaging outside



Environmentally compatible if properly disposed of. No toxic gases arise from burning. Dump without groundwater pollution.

