

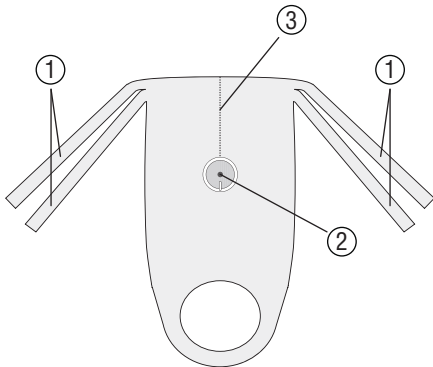


UNIFLEX® TUR-Apron



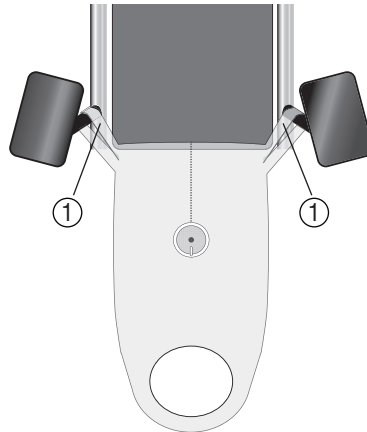
Intended purpose: OP device cover for collecting and draining liquids, for the duration of one application.
For mounting to the operating table. With neckline.

1



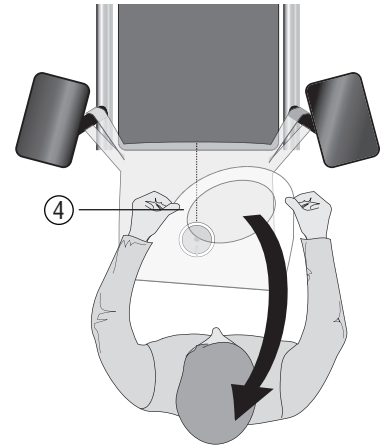
The TUR-Apron is unfolded in such a way that the fastening straps (1) are accessible. The discharge nozzle (2) points downwards (see also illustration 5), and the weld seam (3) points towards the operating table.

2



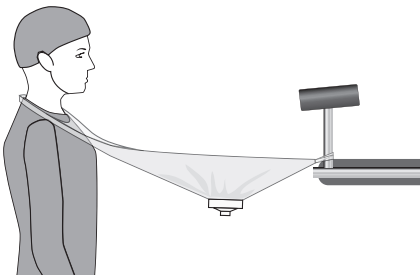
The fastening straps (1) are fixed to the operating table at a suitable location.

3



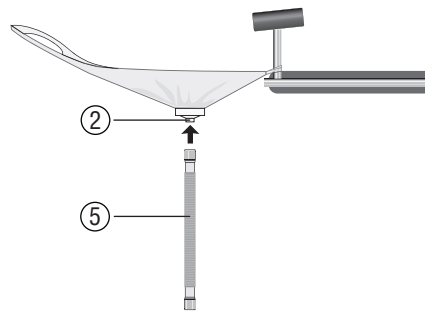
The neckline (4) of the Apron is pulled over the head of the user. If fastened correctly, the TUR-Apron cannot become detached by itself.

4



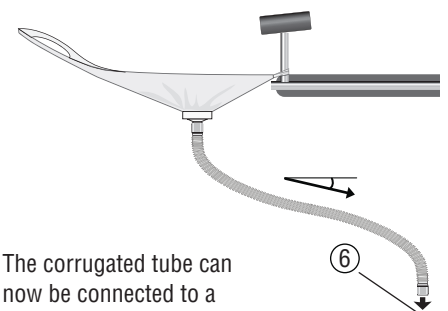
The neckline of the Apron, as worn.

5



The (separately available) corrugated tube (5) can now be pushed onto the discharge nozzle (2) of the Apron.

6

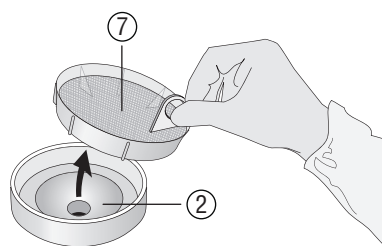


The corrugated tube can now be connected to a suitable drain (6).

To avoid liquid build-up, ensure a constant slope inside the drain hose.

Suitable adapters for the drain are available separately.

7





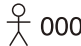








The filter sieve (7) holds back tissue fragments and thus prevents the conduit from becoming blocked. It can be removed from the discharge nozzle (2).



PACKAGE CONTENT		DETAILS
REF 37931U	UNIFLEX® TUR-Apron	Size: 50 x 110 cm
A detailed product specification is available on request.		

Corrugated tube **REF 32017U** (Inside diameter of adapter: 22 mm, length extendable up to 200 cm) is available separately.

WARNINGS and IMPORTANT INFORMATION	OTHER SYMBOLS USED
 Do not use if the packaging is damaged	 Non-sterile product
 CAUTION: Do not use damaged products!	 Use-by date
 Do not reuse	 Latex-free
 CAUTION: Not suitable for reuse , as the required features may fail and cause an infection of the patient.	 Consult instructions for use. The latest instructions for use can be downloaded at www.heisig.de
 CAUTION: The instructions for use apply only to the enclosed products.	 Personnel number of the manufacturing employee
 Store in a dry place	 Batch code JJMM0123
 Keep away from direct sunlight	 Manufacturer
 ATTENTION: To avoid liquid build-up inside the drain hose, ensure a constant slope inside the hose during installation.	 Number of products in a carton
 CAUTION: To be used only by healthcare professionals!	 Date of manufacture
 CAUTION: Any serious incident that has occurred in relation to the device has to be reported to the manufacturer and the competent authority of the Member State in which the user and/or patient is established.	 Article number REF 00000 REF 00000
	 PZN: 0000000 Pharmacy central number
	 Environmentally compatible if properly disposed of. No toxic gases arise from burning. Dump without groundwater pollution.
	 The product is compliant with valid legal requirements for medical devices
	 Medical device